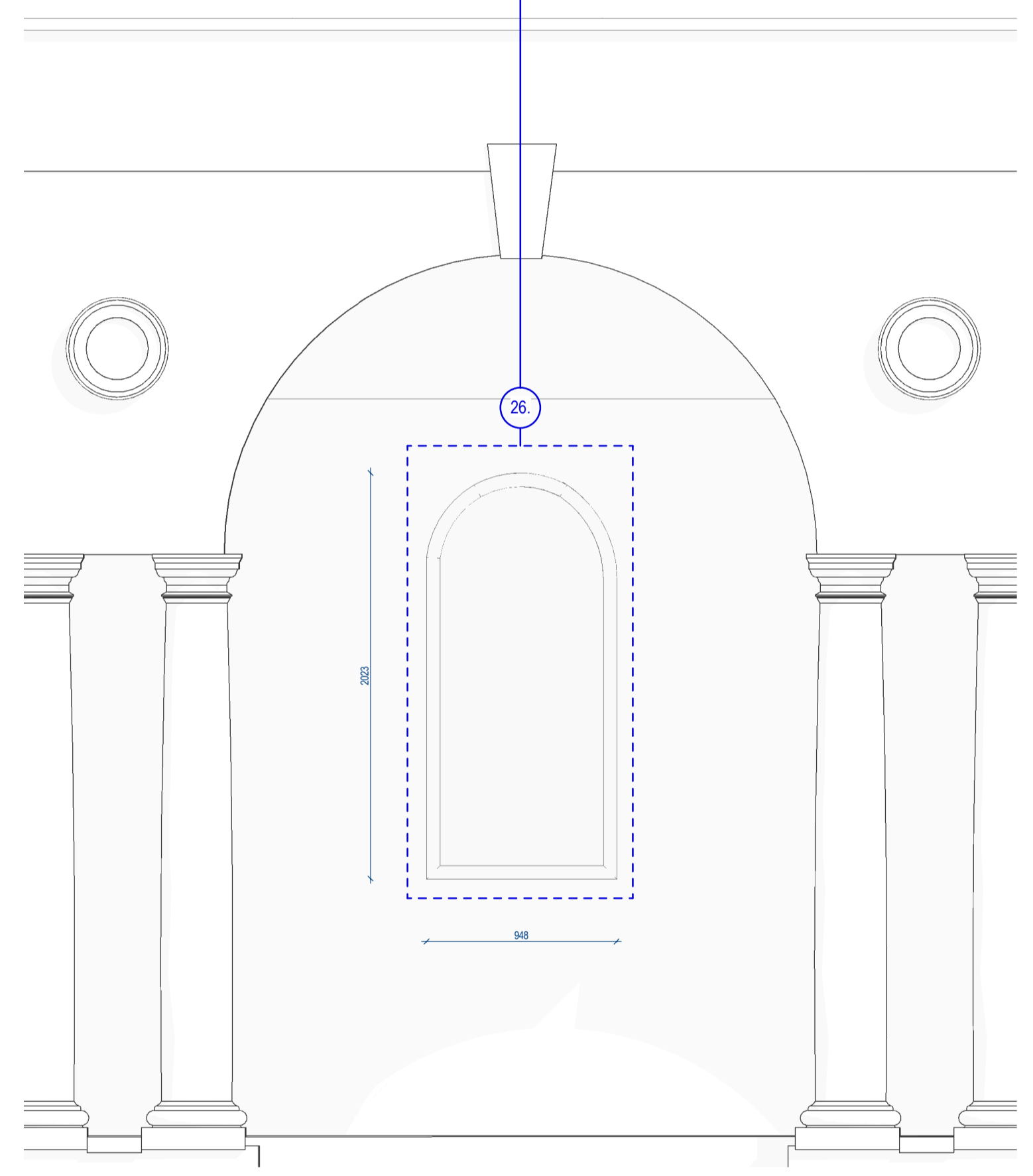
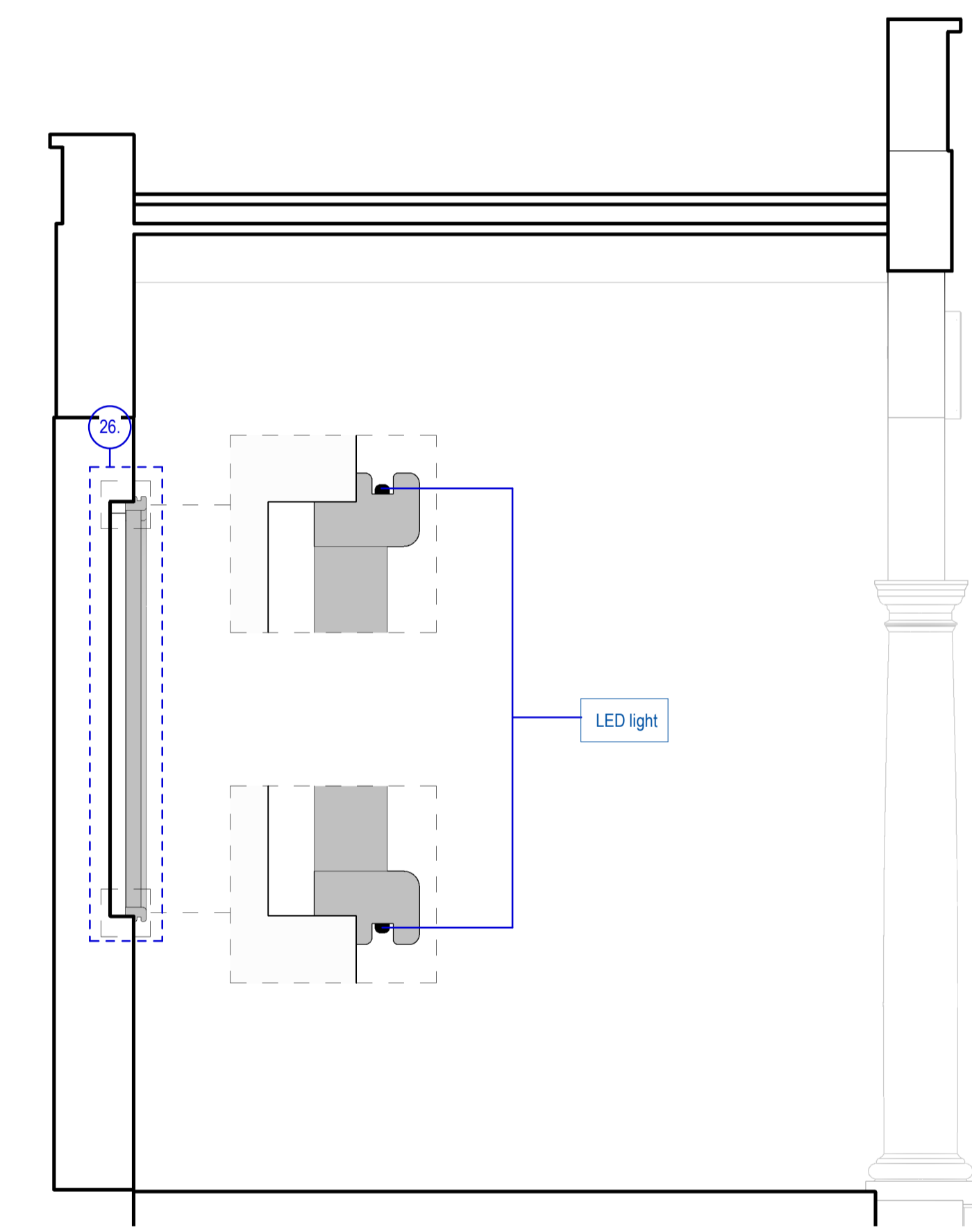


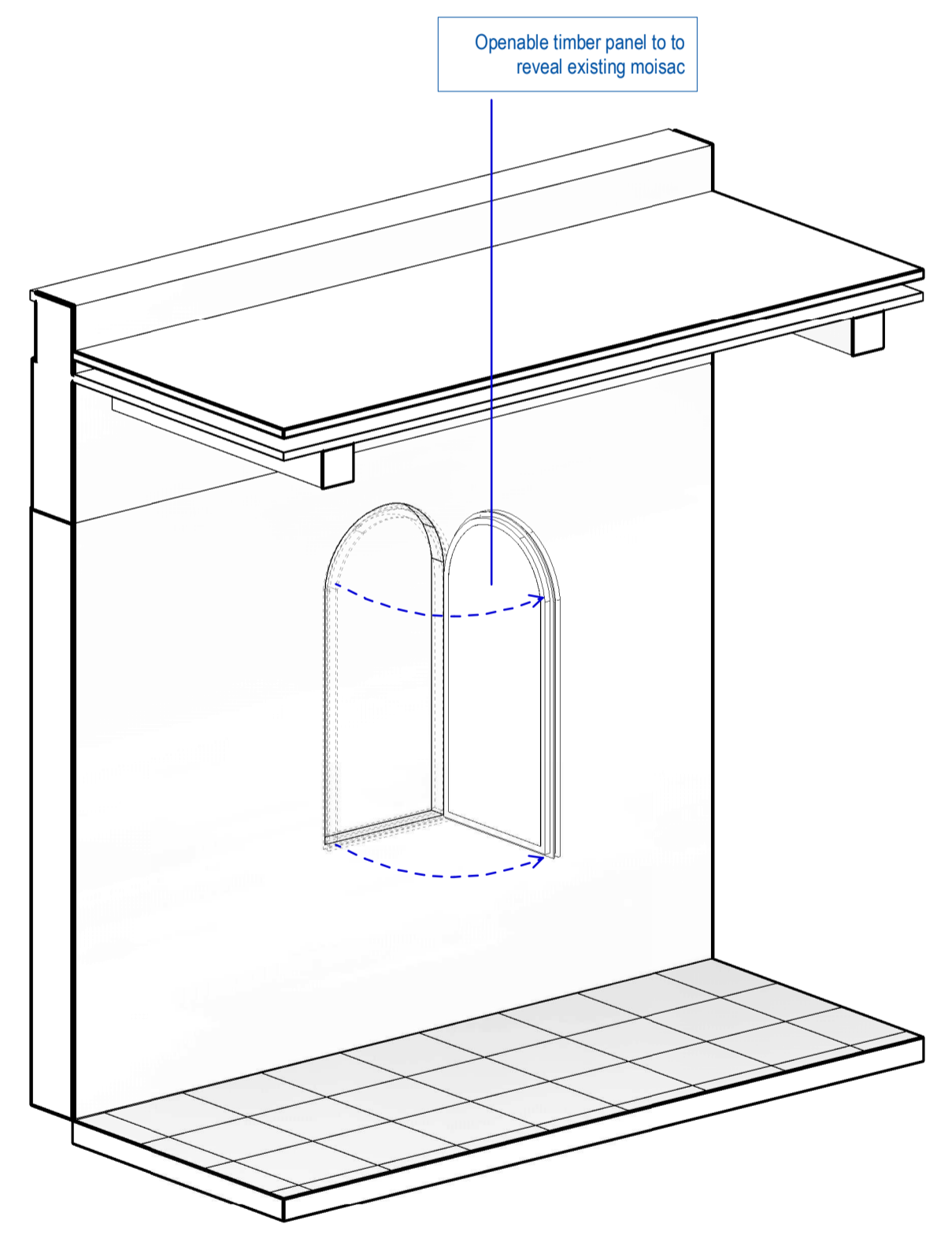
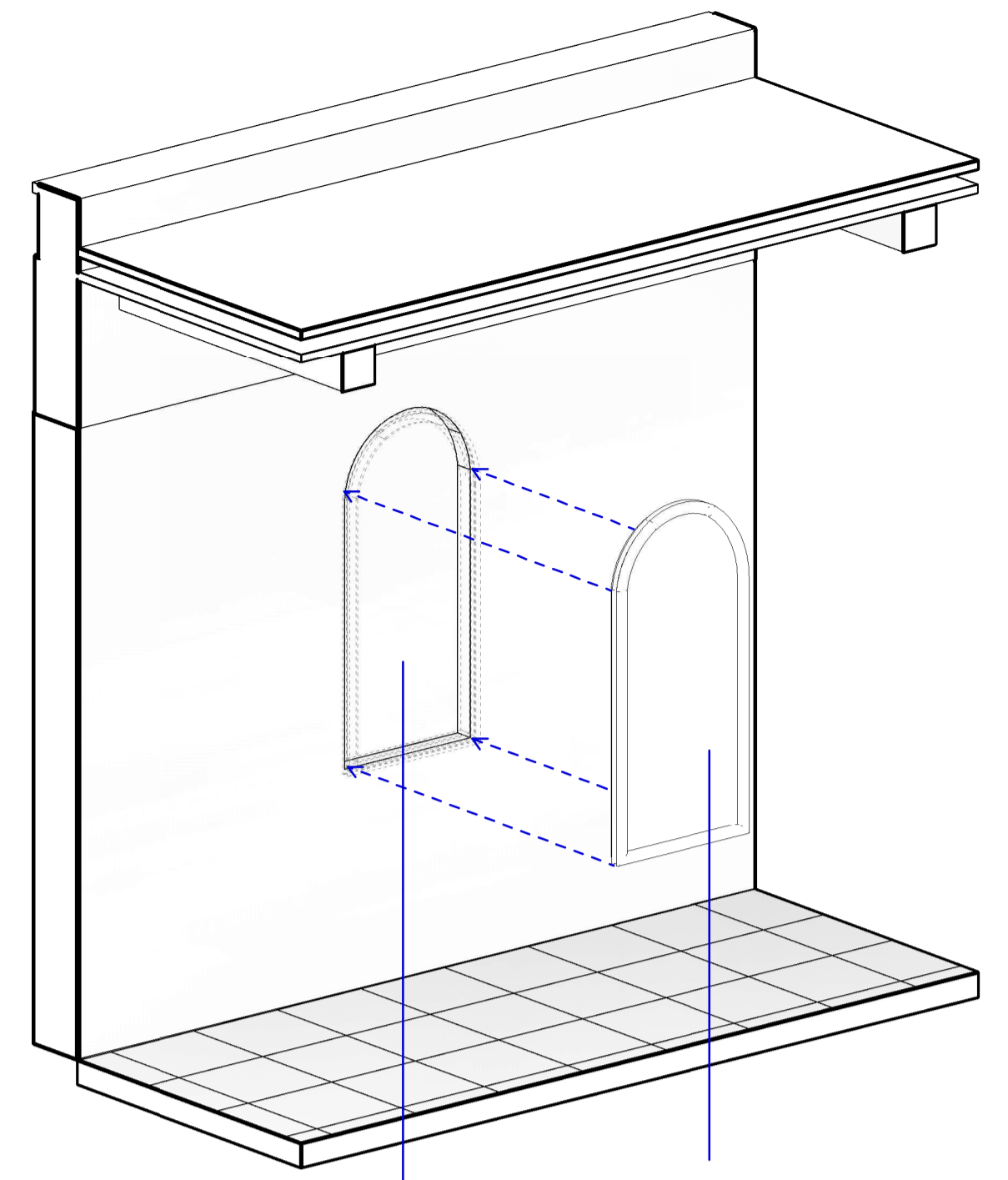
1 North Elevation-Planning-C
Scale - 1 : 100



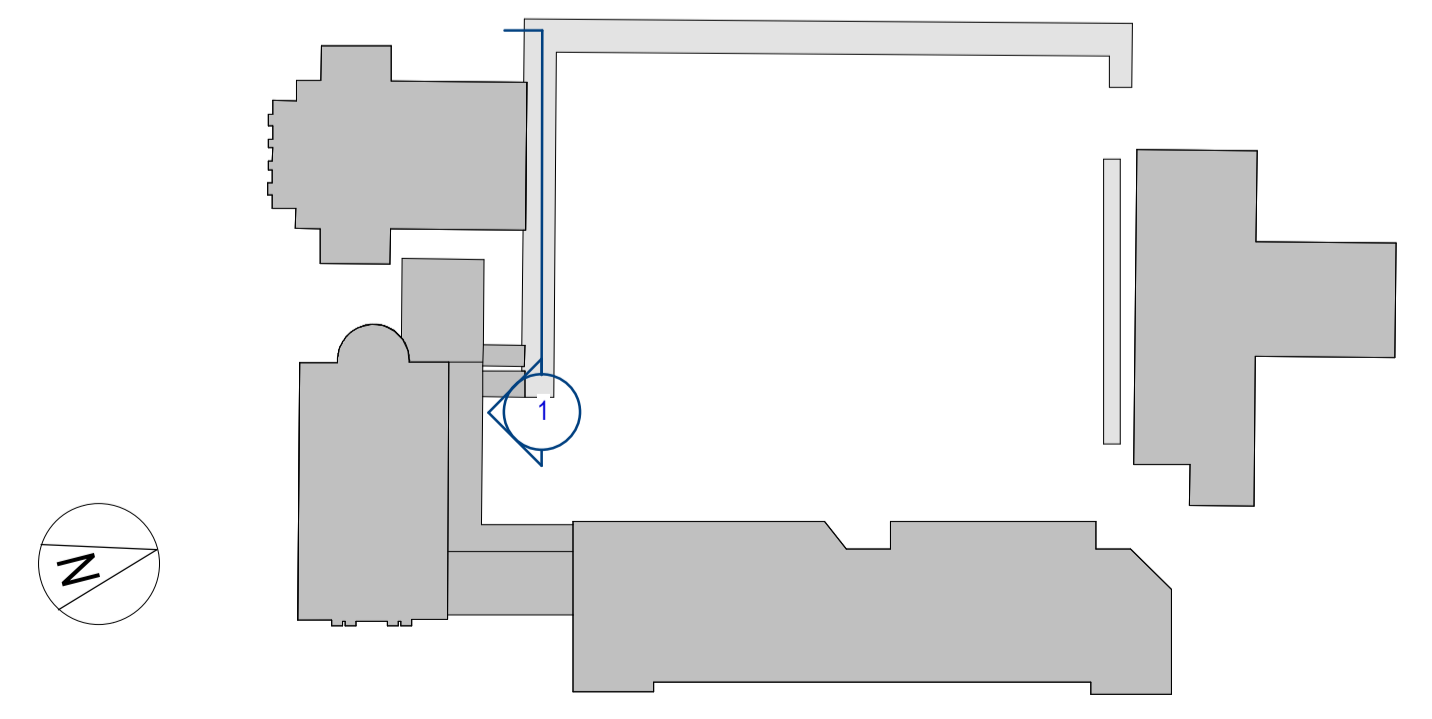
2 Mosaic Light Fitting
Scale - 1 : 25



3 Mosaic Light Fitting Section
Scale - 1 : 25



4 Mosaic Light Fitting
Scale -



REV	DATE	DESCRIPTION	CHK	DRN
P2	APR 21	Issued for Planning	DT	FG
P1	NOV 20	Issued for Pre-Application Consultation	DT	IB

STATUS CODE DESCRIPTION
ISSUED FOR PLANNING APPROVAL

APPLICANT NAME

CWTC Multi Family ICAV acting on behalf of its sub-fund DBTR DR1 Fund

PROJECT NAME

Holy Cross College SHD

LOCATION

Holy Cross College, Clonliffe Road, Dublin 3 and Drumcondra Road Lower, Drumcondra, Dublin 9

DRAWING

ASSEMBLY HALL - MOSAIC LIGHT FITTING

PROJECT NUMBER
CLN-MCM-00-ZZ-M3-A-L0003

DATE
10/20/20

SCALE@ A1:
As indicated

DRAWN/CHECKED:
IB/ROC

STATUS CODE: DRAWING NUMBER REVISION
A1 CLN-MCM-E4-ZZ-DR-A-P-143.1 P2

Henry J Lyons
Architecture + Interiors
henrylyons.com

+353 1 888 3333
info@henrylyons.com

51-54 Pearse Street
Dublin D02 KA66

